

The image of the scene in front of the aircraft is sensed by the Image Sensor Unit, ISU-159. The ISU-159 is fixed to the upper part of the Head-Up Display (PDU-39) in front of the combiners. Combination of the advanced image sensor and high quality lens allows for a high quality image in a wide range of light conditions. The resulting image data are transmitted to the Image Processing Unit (IPU-159).

ISU-159

Image Sensor Unit

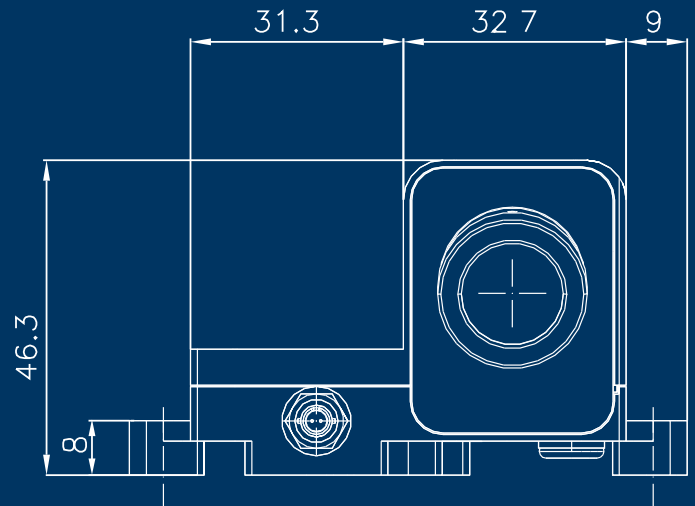
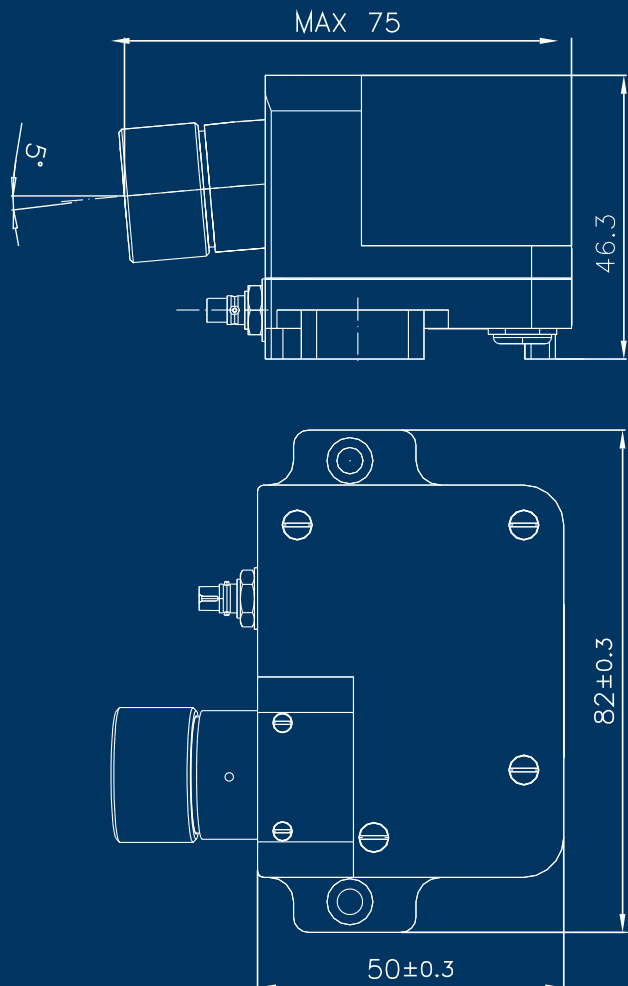
The ISU-159 unit is part of SPEEL's HEAD-UP DISPLAY system.

Technical Specifications

Dimensions (w/h/l)	83x47x75 [mm]
Weight	< 0.15 kg
Power Supply	by data cable from IPU-159
Sensor	CMOS sensor type 1/1.8", 16:9 format 8MP resolution Rolling Shutter
Optics	Ruggedized S-mount Lens Interchangeable Customizable Field of View Protected by sapphire crystal glass
Video Output	FPD Link III FullHD (1920 x 1080p) resolution 30 / 60 fps
Environmental Compliance	MIL-STD-810F / MIL-STD-461E
Operating Temperature Range	-40°C to +60°C
MTBF	>10000 FH

[HEAD-UP DISPLAY]

[CVFDR]



ISU-159

Image Sensor Unit

SPEEL
P R A H A

SPEEL PRAHA s.r.o.
Beranových 130,
199 05 Praha 9,
Czech Republic

www.speel.cz
E-mail: info@speel.cz
Tel.: +420 286 923 619

Information contained herein is the property of SPEEL and is subject to change without notice. ©2024 SPEEL PRAHA s.r.o.