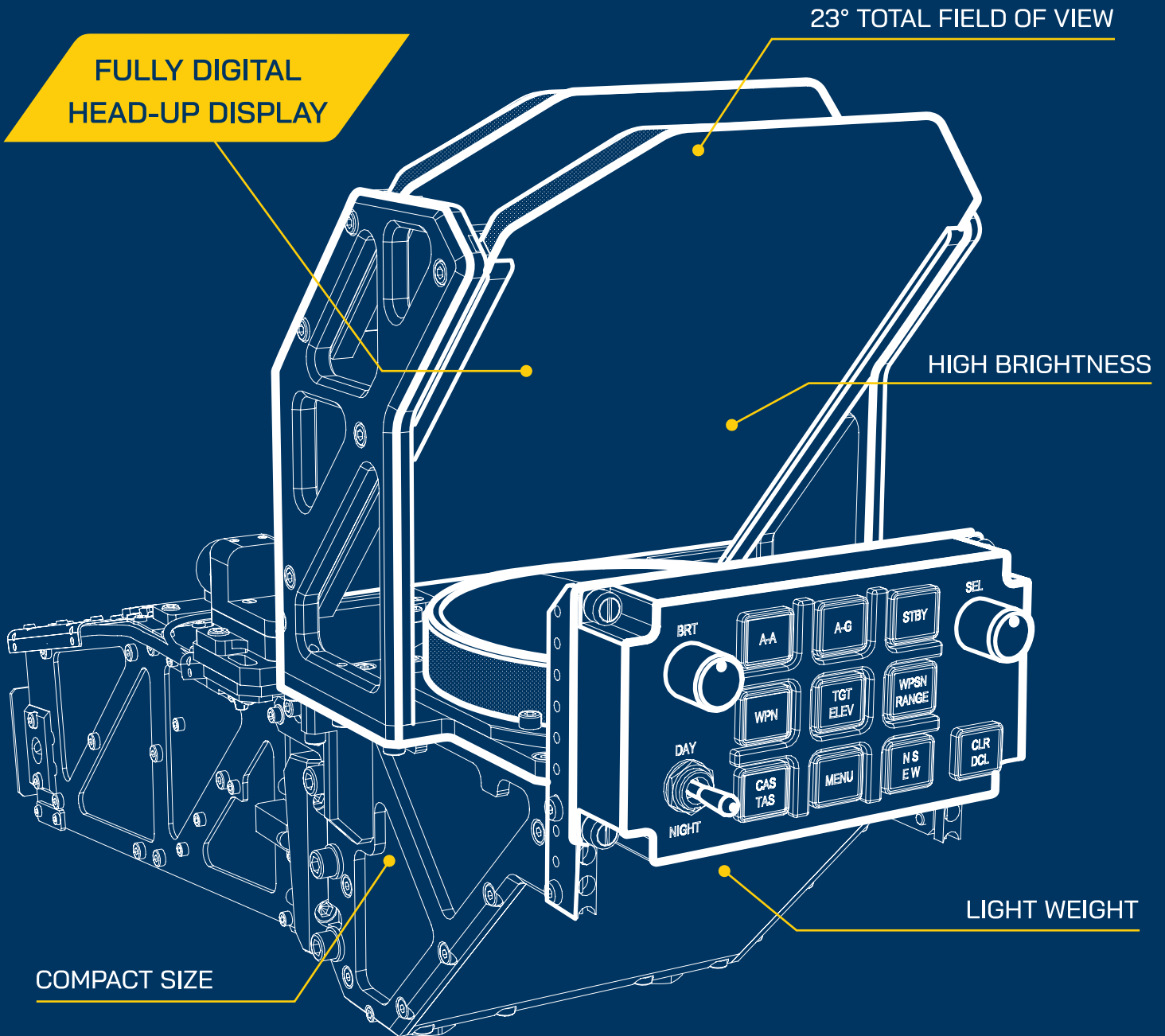




SPEEL PRAHA s.r.o.
 Beranových 130, 199 05 Praha 9, Czech Republic
 www.speel.cz | email: info@speel.cz



The PDU-39 is a fully digital, raster based, “look through” display unit. The unit interfaces with the Mission Processor, MP-39 via a CAN bus for the unit control. For transferring graphical data - the displayed symbology, a HD-SDI link is routed between them.

The PDU allows switching between day and night mode, the backlight colour complies with Class C NVIS standard.

PDU - 39
Pilot Display Unit
The PDU-39 unit is part of SPEEL's HEAD-UP DISPLAY system.

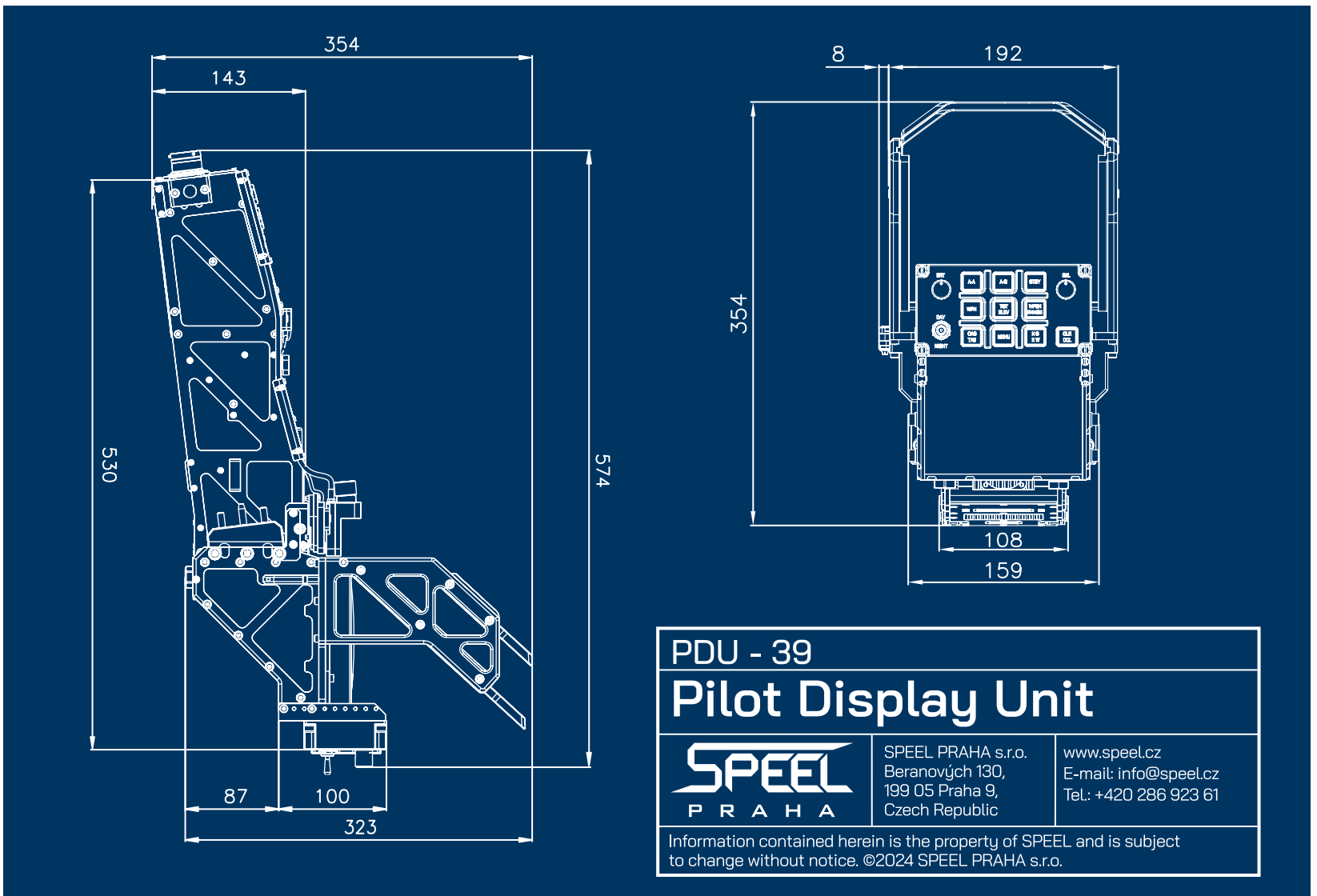
Technical Specifications

Dimensions (w/h/l)	205x374x572 [mm]
Weight	< 9 kg
Power Supply	18 VDC to 32 VDC
Power Consumption	< 85 W at full brightness
Video Interface	HD-SDI
Control Interface	CAN
Total Field of View (TFoV)	> 23° x 23°
Brightness	> 3500 ftL (valid for a 2/pixel line thickness)
Contrast	> 1.35 : 1 (against 10.000 ftL ambient, valid for a 2/pixel line thickness)
Display Resolution	720 x 720p
Angular Resolution	0.558 to 0.582 mrad
Eye Motion Box (h/w)	500 x 140 [mm]
Accuracy	< 2.0 mrad at 0°-5°
	< 2.5 mrad at 5°-10°
	< 3.0 mrad at 10°-TFoV
Environmental Compliance	MIL-STD-810F / MIL-STD-461E
Operating Temperature Range	-40°C to +60°C
MTBF	>10000 FH
Technical life	25 years
	A factory inspection shall be carried out every 8 years

[HEAD-UP DISPLAY]

[CVFDR]

On the PDU-39's housing there is a fixture for mounting the ISU-159 camera. The UFCP panel is a separate LRU that mounts on the PDU-39 and connects electrically to the latter and to the MP-39.



PDU - 39		
Pilot Display Unit		
	SPEEL PRAHA s.r.o. Beranových 130, 199 05 Praha 9, Czech Republic	www.speel.cz E-mail: info@speel.cz Tel.: +420 286 923 61
	Information contained herein is the property of SPEEL and is subject to change without notice. ©2024 SPEEL PRAHA s.r.o.	