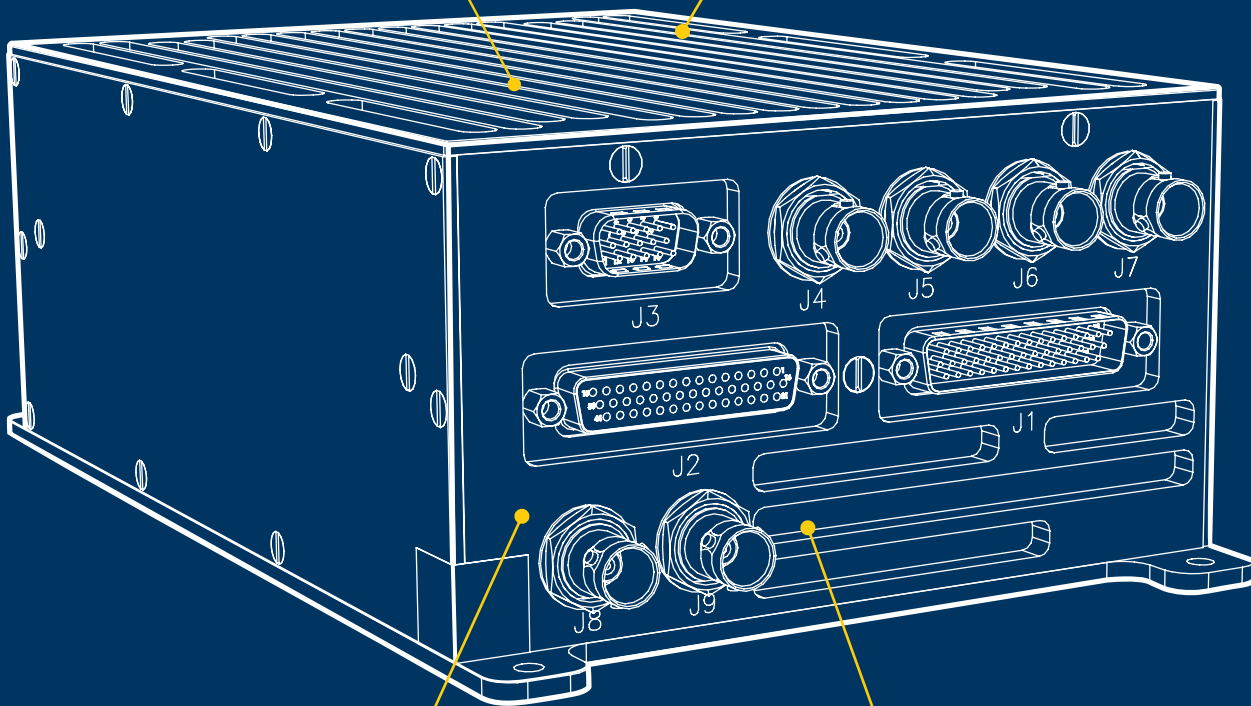




SPEEL PRAHA s.r.o.
Beranových 130, 199 05 Praha 9, Czech Republic
www.speel.cz | email: info@speel.cz

TWO INTERNAL 32 GB SSDs

GENERATES HUD
SYMBOLOLOGY



LIGHT WEIGHT & COMPACT

DUAL CPU / GPU SYSTEM

The Mission Processor, MP-39, processes data from various aircraft sensors and generates symbology based on acquired information. The symbology is sent as video data over HD-SDI to the Pilot Display Unit (PDU-39). The unit does not require any additional external cooling. All the connectors are located on the front panel of the unit.

MP-39

Mission Processor

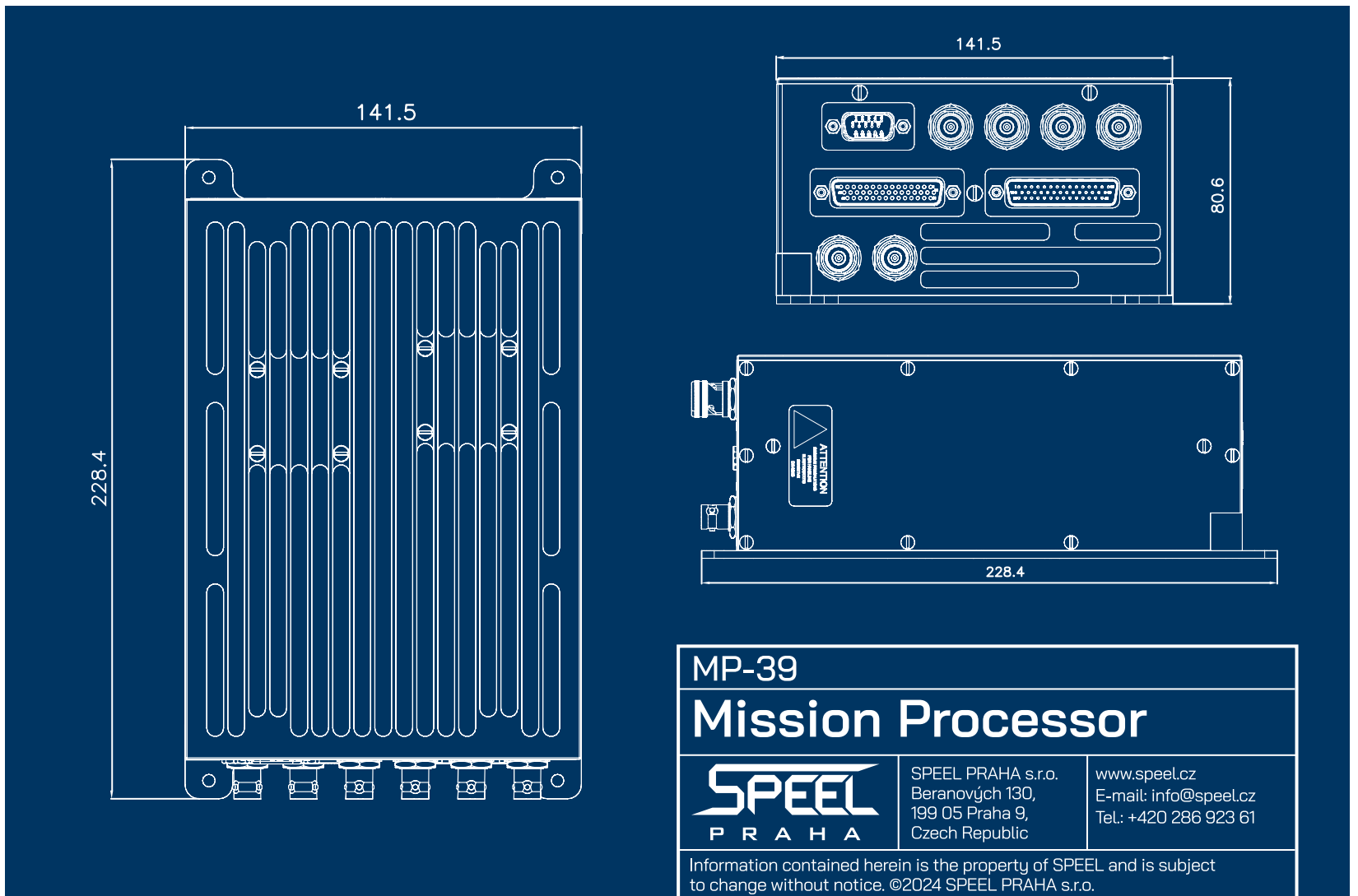
The MP-39 unit is part of SPEEL's HEAD-UP DISPLAY system.

Technical Specifications

Dimensions (w/h/l)	145x85x230 (mm)
Weight	< 1.9 kg
Power Supply	12 VDC to 33 VDC
Power Consumption	< 25W
Digital Interfaces	2 x CAN 12 x RX ARINC-429 5 x TX ARINC-429 1 x RS232/RS422 2 x Ethernet 100BASE-TX/10BASE-T 1 x RT MIL-STD-1553B
Analog Interfaces	24 x discrete inputs 7 x analog inputs
Video Interfaces	1 x CVBS input 2 x HD-SDI / 3G-SDI Output
Discrete Outputs	3 x Open/+28V 5 x Open/GND
Environmental Compliance	MIL-STD-810F / MIL-STD-461E
Operating Temperature Range	-55°C to +60°C
MTBF	>9000 FH
Technical life	25 years

[HEAD-UP DISPLAY]

[CVFDR]



MP-39		
Mission Processor		
	SPEEL PRAHA s.r.o. Beranových 130, 199 05 Praha 9, Czech Republic	www.speel.cz E-mail: info@speel.cz Tel.: +420 286 923 61
	Information contained herein is the property of SPEEL and is subject to change without notice. ©2024 SPEEL PRAHA s.r.o.	