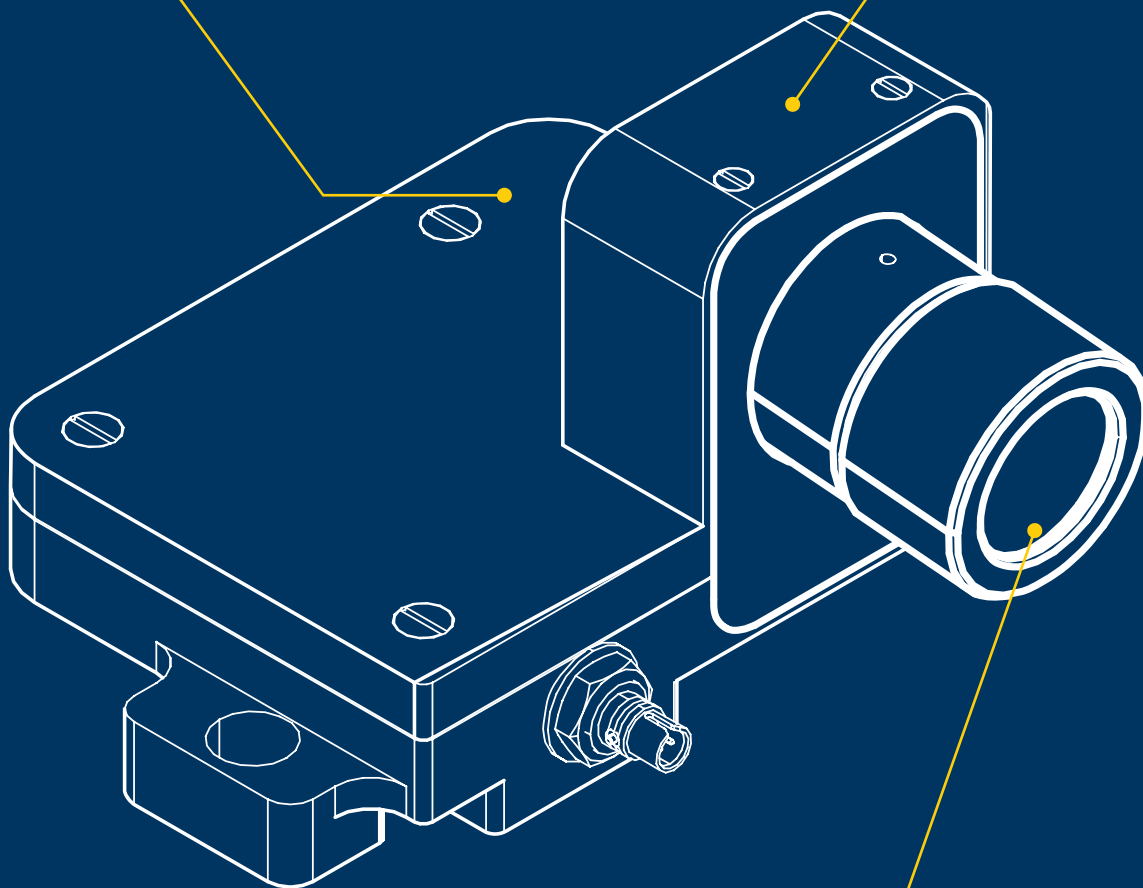




SPEEL PRAHA s.r.o.  
Beranových 130, 199 05 Praha 9, Czech Republic  
www.speel.cz | email: info@speel.cz

8MP CMOS SENSOR

CUSTOMIZABLE  
FIELD OF VIEW



INTERCHANGEABLE  
RUGGEDIZED LENS

The image of the scene in front of the aircraft is sensed by the Image Sensor Unit, ISU-159. The ISU-159 is fixed to the upper part of the Head-Up Display (PDU-39) in front of the combiners. Combination of the advanced image sensor and high quality lens allows for a high quality image in a wide range of light conditions. The resulting image data are transmitted to the Image Processing Unit (IPU-159).

ISU-159

## Image Sensor Unit

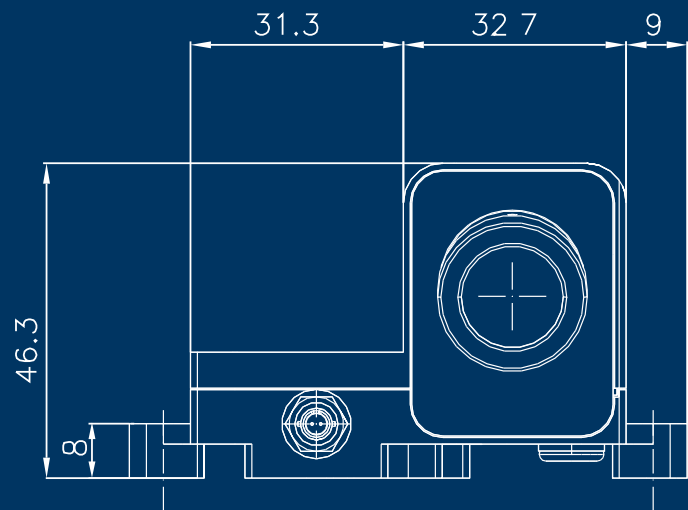
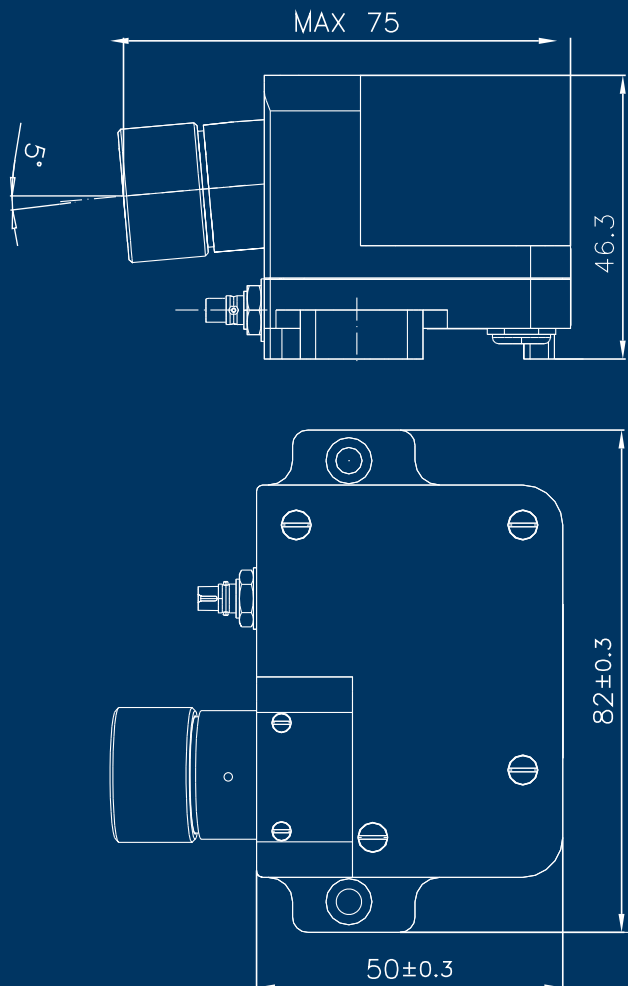
The ISU-159 unit is part of SPEEL's HEAD-UP DISPLAY system.


## Technical Specifications

Dimensions (w/h/l)	83x47x75 [mm]
Weight	< 0.15 kg
Power Supply	by data cable from IPU-159
Sensor	CMOS sensor type
	1/1.8", 16:9 format
	8MP resolution
Optics	Rolling Shutter
	Ruggedized S-mount Lens
	Interchangeable
	Customizable Field of View
Video Output	Protected by sapphire crystal glass
	FPD Link III
	FullHD (1920 x 1080p) resolution
Environmental Compliance	30 / 60 fps
Operating Temperature Range	MIL-STD-810F / MIL-STD-461E
MTBF	-40°C to +60°C
Technical life	>10000 FH
	25 years

[ HEAD-UP DISPLAY ]

[ CVFDR ]



<b>ISU-159</b>		
<b>Image Sensor Unit</b>		
	SPEEL PRAHA s.r.o. Beranových 130, 199 05 Praha 9, Czech Republic	www.speel.cz E-mail: info@speel.cz Tel.: +420 286 923 61
	Information contained herein is the property of SPEEL and is subject to change without notice. ©2024 SPEEL PRAHA s.r.o.	