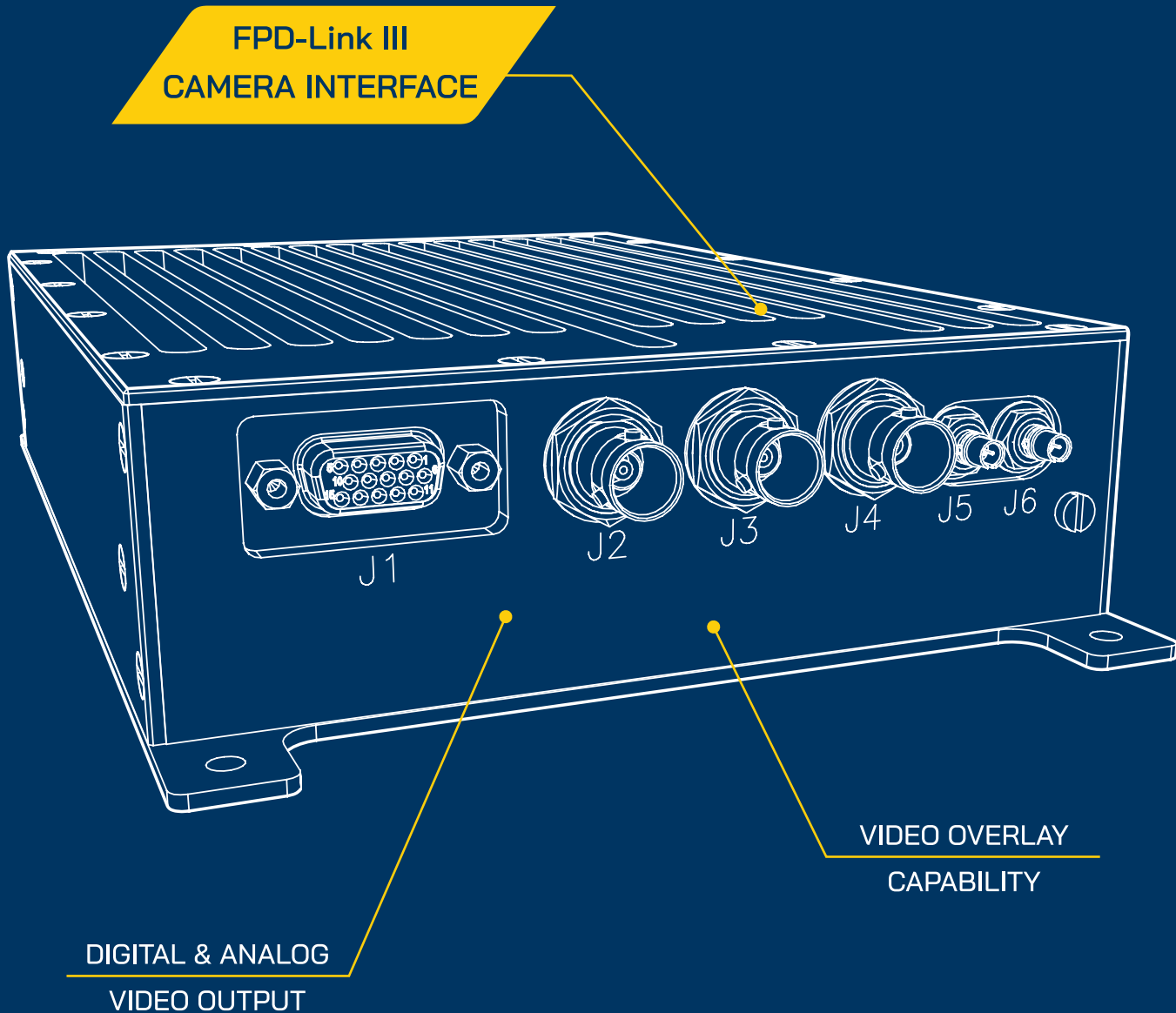




SPEEL PRAHA s.r.o.
 Beranových 130, 199 05 Praha 9, Czech Republic
 www.speel.cz | email: info@speel.cz



The Image Processing Unit, IPU-159, receives from the Mission Processor (MP-39) the video data with HUD symbology, which it re-transmits to the Head-Up Display (PDU-39), and also superimposes on the image of the scene in front of the aircraft taken by the Image Sensor Unit (ISU-159). The overlaid image is then transmitted to the DVR for recording, whereas the image from the ISU-159 is converted to CVBS, and sent to the Repeater Display (MFD-39).

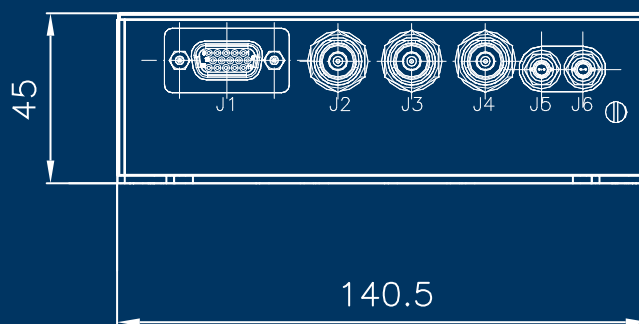
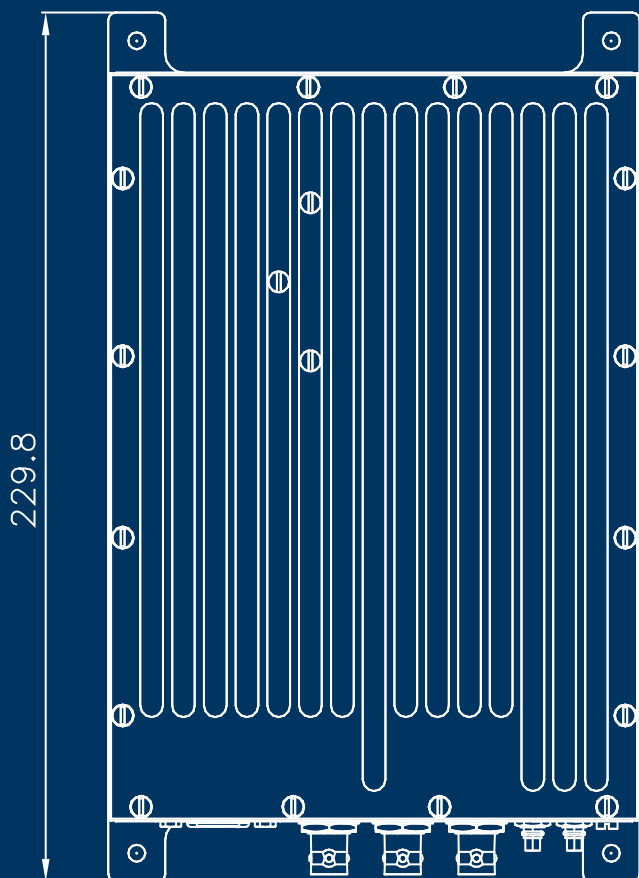
IPU-159
Image Processing Unit
The IPU-159 unit is part of SPEEL's HEAD-UP DISPLAY system.

Technical Specifications

Dimensions (w/h/l)	141x45x230 (mm)
Weight	< 1.25 kg
Power Supply	18 VDC to 32 VDC
Power Consumption	< 14 W
Camera interface	FPD-Link III
Digital Video Input	3G-SDI
	1920 x 1080p resolution 60 Hz frame rate
Digital Video Output	3G-SDI
	1920 x 1080p resolution 60 Hz frame rate
Analog Video Output	CVBS NTSC-M
Digital Interface	1x Ethernet 100BASE-TX/10BASE-T
Environmental Compliance	MIL-STD-810F / MIL-STD-461E
Operating Temperature Range	-40°C to +60°C
MTBF	>10000 FH
Technical life	25 years

[HEAD-UP DISPLAY]

[CVFDR]



IPU-159		
Image Processing Unit		
	SPEEL PRAHA s.r.o. Beranových 130, 199 05 Praha 9, Czech Republic	www.speel.cz E-mail: info@speel.cz Tel.: +420 286 923 61
	Information contained herein is the property of SPEEL and is subject to change without notice. ©2024 SPEEL PRAHA s.r.o.	